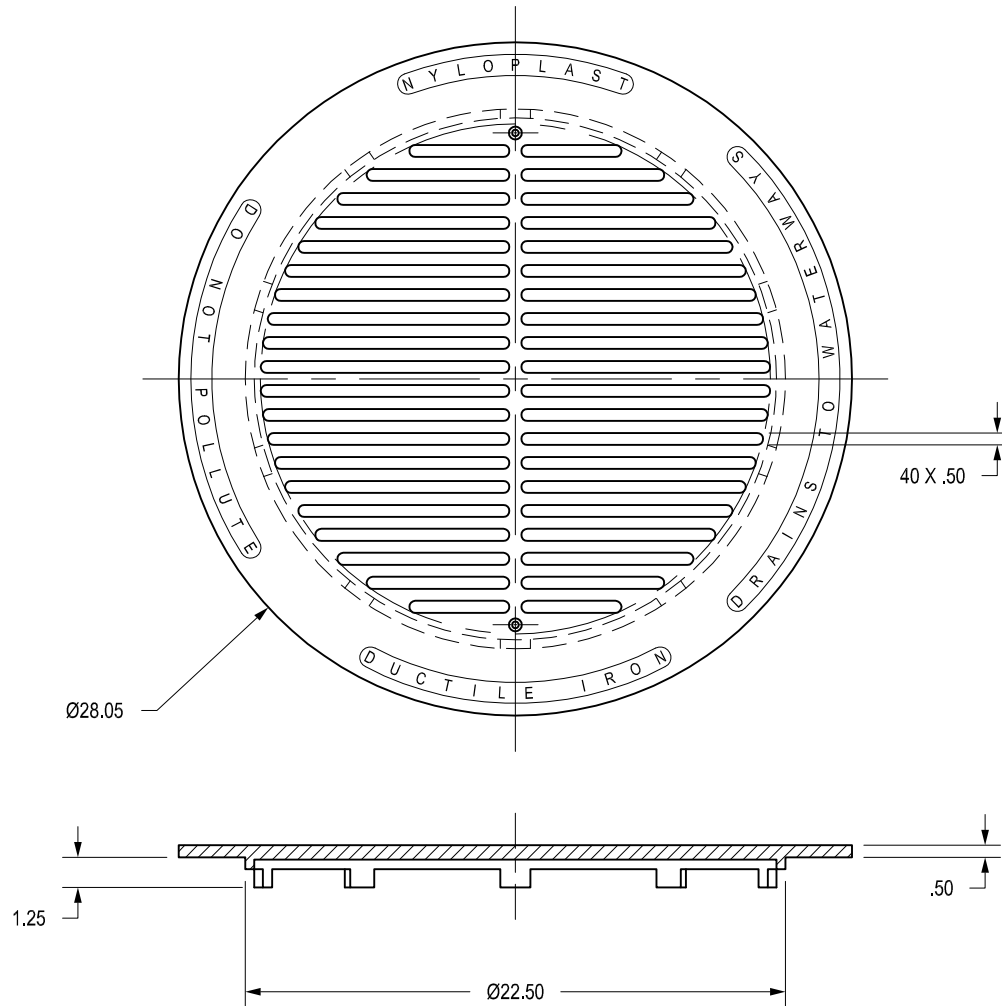


2401DI

APPROX. DRAIN AREA = 164.94 SQ IN
 APPROX. WEIGHT = 67.50 LBS



DIMENSIONS ARE FOR REFERENCE ONLY

ACTUAL DIMENSIONS MAY VARY

DIMENSIONS ARE IN INCHES

GRATE HAS LIGHT DUTY RATING

QUALITY: MATERIALS SHALL CONFORM TO ASTM A536 GRADE 70-50-05

PAINT: CASTINGS ARE FURNISHED WITH A BLACK PAINT

SIZE OF OPENING MEETS REQUIREMENTS OF AMERICAN DISABILITY


ACT AS STATED IN FEDERAL REGISTER PART III, DEPARTMENT OF

JUSTICE, 28 CFR PART 36.

THIS PRINT DISCLOSES SUBJECT MATTER IN WHICH NYLOPLAST HAS PROPRIETARY RIGHTS. THE RECEIPT OR POSSESSION OF THIS PRINT DOES NOT CONFER, TRANSFER, OR LICENSE THE USE OF THE DESIGN OR TECHNICAL INFORMATION SHOWN HEREIN REPRODUCTION OF THIS PRINT OR ANY INFORMATION CONTAINED HEREIN, OR MANUFACTURE OF ANY ARTICLE HEREFROM, FOR THE DISCLOSURE TO OTHERS IS FORBIDDEN, EXCEPT BY SPECIFIC WRITTEN PERMISSION FROM NYLOPLAST.

©2011 NYLOPLAST

DRAWN BY	CJA	MATERIAL
DATE	7-5-01	
REVISED BY	JJC	PROJECT NO./NAME
DATE	2-22-11	
DWG SIZE	A	SCALE 1:8 SHEET 1 OF 1

	3130 VERONA AVE BUFORD, GA 30518 PHN (770) 932-2443 FAX (770) 932-2490 www.nyloplast-us.com	
	TITLE	24 IN DROP IN
DWG NO.	7001-110-075	REV D