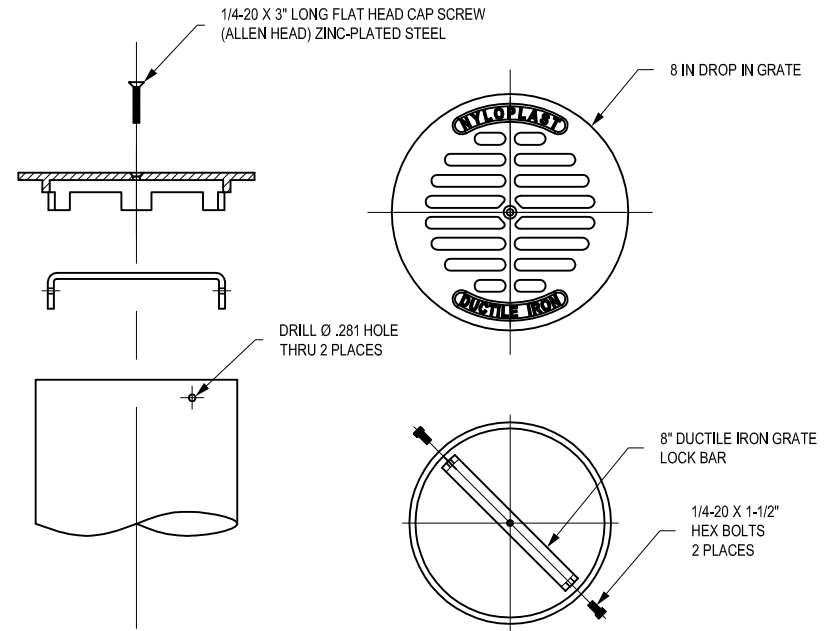
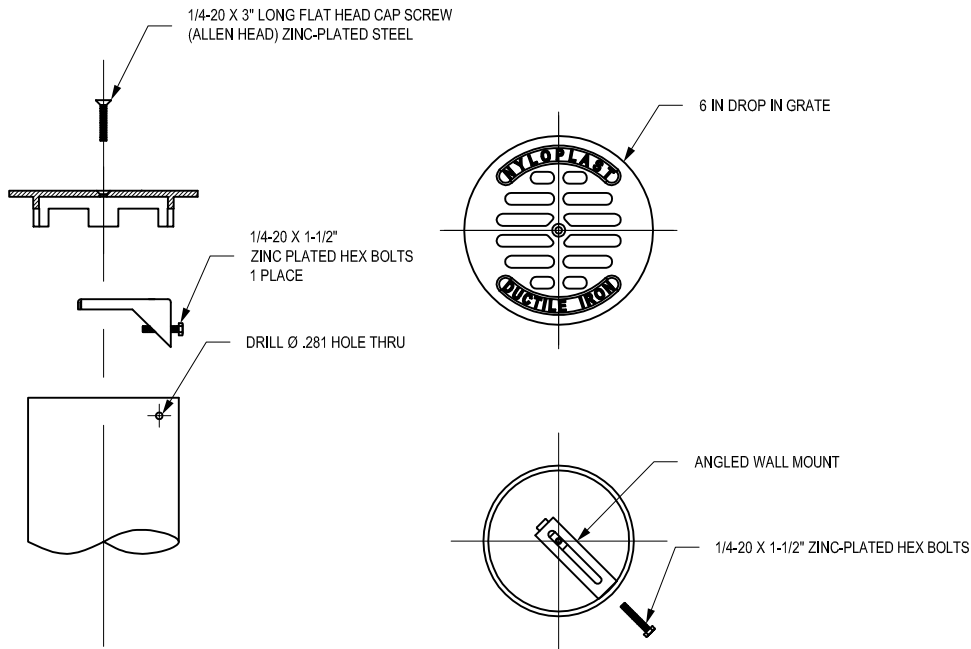



# 6 IN AND 8 IN DROP IN GRATE LOCKING OPTIONS



THIS PRINT DISCLOSES SUBJECT MATTER IN WHICH NYLOPLAST HAS PROPRIETARY RIGHTS. THE RECEIPT OR POSSESSION OF THIS PRINT DOES NOT CONFER, TRANSFER, OR LICENSE THE USE OF THE DESIGN OR TECHNICAL INFORMATION SHOWN HEREIN REPRODUCTION OF THIS PRINT OR ANY INFORMATION CONTAINED HEREIN, OR MANUFACTURE OF ANY ARTICLE HEREFROM, FOR THE DISCLOSURE TO OTHERS IS FORBIDDEN, EXCEPT BY SPECIFIC WRITTEN PERMISSION FROM NYLOPLAST.

©2007 NYLOPLAST

DRAWN BY	NMH	MATERIAL
DATE	8-6-15	
APPD BY	CJA	PROJECT NO./NAME
DATE	8-6-15	
DWG SIZE	A	SCALE 1:40 SHEET 1 OF 1


 3130 VERONA AVE  
 BUFORD, GA 30518  
 PHN (770) 932-2443  
 FAX (770) 932-2490  
[www.nyloplast-us.com](http://www.nyloplast-us.com)

TITLE  
6 IN AND 8 IN DROP IN GRATE LOCKING OPTIONS

DWG NO. 7001-110-494 REV A