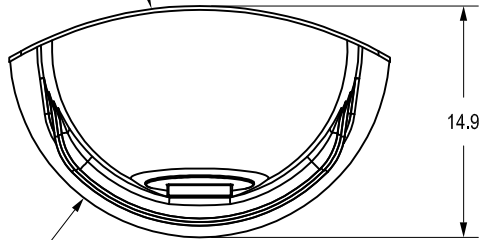
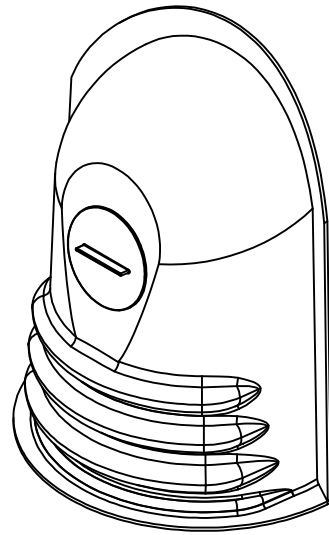


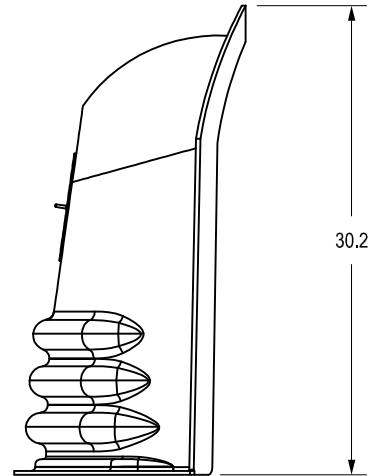
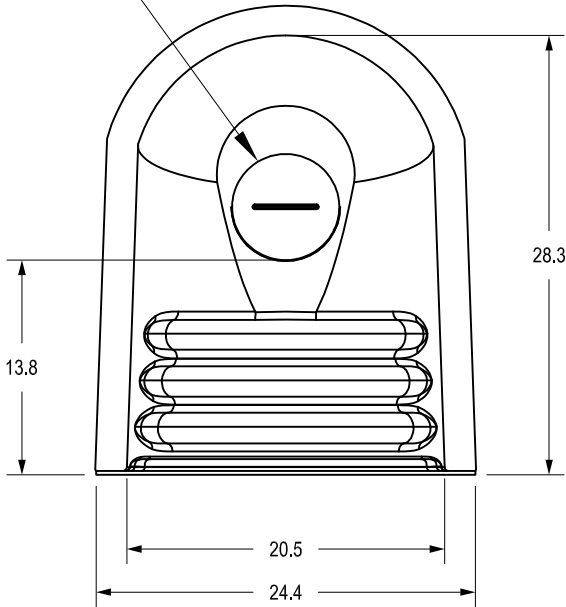
DESIGNED TO FIT 48" ROUND  
CONCRETE STRUCTURES



R12.3



REMOVABLE 6"  
ACCESS PORT



THIS PRINT DISCLOSES SUBJECT MATTER IN WHICH NYLOPLAST HAS PROPRIETARY RIGHTS. THE RECEIPT OR POSSESSION OF THIS PRINT DOES NOT CONFER, TRANSFER, OR LICENSE THE USE OF THE DESIGN OR TECHNICAL INFORMATION SHOWN HEREIN. REPRODUCTION OF THIS PRINT OR ANY INFORMATION CONTAINED HEREIN, OR MANUFACTURE OF ANY ARTICLE HEREFROM, FOR THE DISCLOSURE TO OTHERS IS FORBIDDEN, EXCEPT BY SPECIFIC WRITTEN PERMISSION FROM NYLOPLAST.

©2012 NYLOPLAST

DRAWN BY	JJC	MATERIAL	HIGH DENSITY POLYETHYLENE		
DATE	7-2-12	PROJECT NO./NAME			
APPD BY	JJC	SCALE	NTS	SHEET	1 OF 1
DATE	7-2-12				



3130 VERONA AVE  
BUFORD, GA 30518  
PHN (770) 932-2443  
FAX (770) 932-2490  
www.nyloplast-us.com

TITLE	18R ENVIROHOOD FOR 48" ROUND CONCRETE STRUCTURES			
DWG NO.	7004-110-102	REV	A	