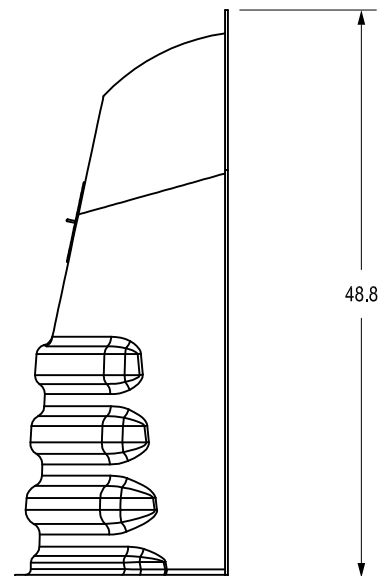
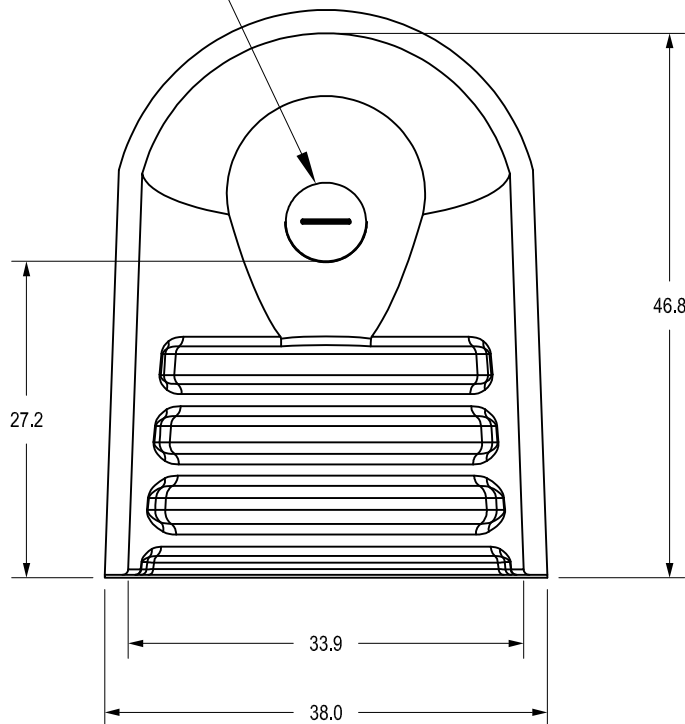


REMOVABLE 6"
ACCESS PORT



THIS PRINT DISCLOSES SUBJECT MATTER IN WHICH NYLOPLAST HAS PROPRIETARY RIGHTS. THE RECEIPT OR POSSESSION OF THIS PRINT DOES NOT CONFER, TRANSFER, OR LICENSE THE USE OF THE DESIGN OR TECHNICAL INFORMATION SHOWN HEREIN. REPRODUCTION OF THIS PRINT OR ANY INFORMATION CONTAINED HEREIN, OR MANUFACTURE OF ANY ARTICLE HEREFROM, FOR THE DISCLOSURE TO OTHERS IS FORBIDDEN, EXCEPT BY SPECIFIC WRITTEN PERMISSION FROM NYLOPLAST.

©2012 NYLOPLAST

DRAWN BY	JJC	MATERIAL	HIGH DENSITY POLYETHYLENE		
DATE	7-2-12	PROJECT NO./NAME			
APPD BY	JJC	SCALE	NTS	SHEET	1 OF 1
DATE	7-2-12				
DWG SIZE	A				

	3130 VERONA AVE BUFORD, GA 30518 PHN (770) 932-2443 FAX (770) 932-2490 www.nyloplast-us.com		
	TITLE		
30F ENVIROHOOD FOR FLAT CONCRETE			
DWG NO.	7004-110-110	REV	A