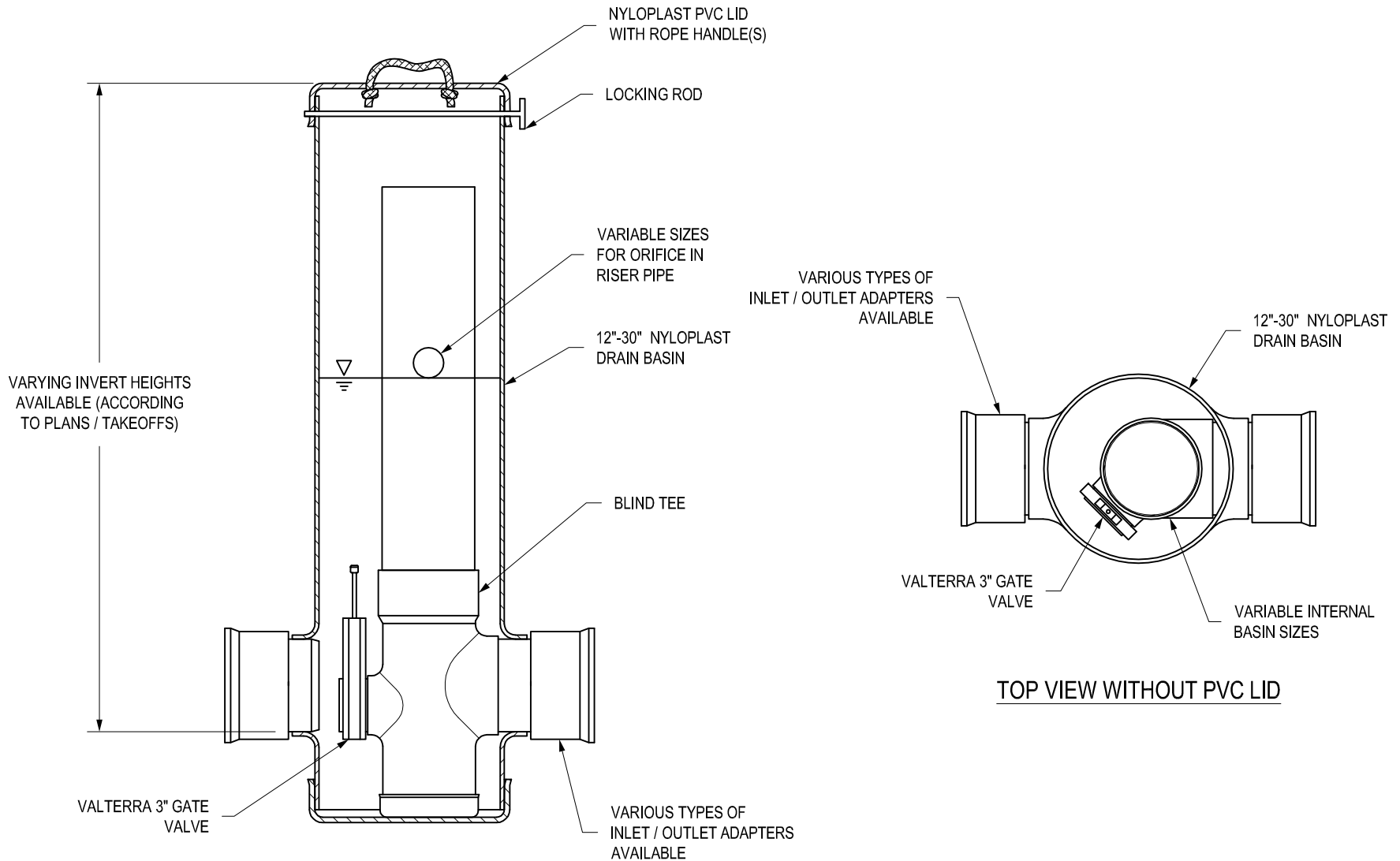


NYLOPLAST WATER CONTROL STRUCTURE WITH ORIFICE IN RISER PIPE



- 1 - REMOVABLE STAND PIPE AND OUTLET SIZE ARE RESTRICTED BY FLOW CONTROL STRUCTURE SIZE.
- 2 - REMOVABLE STAND PIPE HEIGHT CAN VARY ACCORDING TO PLAN DETAILS.
- 3 - FLOW CONTROL STRUCTURE TO BE CUSTOM MANUFACTURED ACCORDING TO PLAN DETAILS. RISERS ARE NEEDED FOR BASINS OVER 84" DUE TO SHIPPING RESTRICTIONS.
- 4 - DRAINAGE CONNECTION STUB JOINT TIGHTNESS SHALL CONFORM TO ASTM D3212 FOR CORRUGATED HDPE (ADS N-12/HANCOR DUAL WALL), N-12 HP, & PVC SEWER.
- 5 - ADAPTERS CAN BE MOUNTED ON ANY ANGLE 0° TO 360°. TO DETERMINE MINIMUM ANGLE BETWEEN ADAPTERS SEE DRAWING NO. 7001-110-012.
- 6 - ORIFICE HOLES ARE DEPENDENT ON RISER PIPE SIZE.

THIS PRINT DISCLOSES SUBJECT MATTER IN WHICH NYLOPLAST HAS PROPRIETARY RIGHTS. THE RECEIPT OR POSSESSION OF THIS PRINT DOES NOT CONFER, TRANSFER, OR LICENSE THE USE OF THE DESIGN OR TECHNICAL INFORMATION SHOWN HEREIN REPRODUCTION OF THIS PRINT OR ANY INFORMATION CONTAINED HEREIN, OR MANUFACTURE OF ANY ARTICLE HEREFROM, FOR THE DISCLOSURE TO OTHERS IS FORBIDDEN, EXCEPT BY SPECIFIC WRITTEN PERMISSION FROM NYLOPLAST.

©2007 NYLOPLAST

DRAWN BY	NMH	MATERIAL		
DATE	2-9-16			
APPD BY	NMH	PROJECT NO./NAME		
DATE	2-9-16			
DWG SIZE	A	SCALE	1:10	SHEET 1 OF 1

Nyloplast

3130 VERONA AVE
BUFORD, GA 30518
PHN (770) 932-2443
FAX (770) 932-2490
www.nyloplast-us.com

TITLE	
NYLOPLAST WATER CONTROL STRUCTURE WITH ORIFICE IN RISER PIPE	
DWG NO.	7008-110-009
REV	A