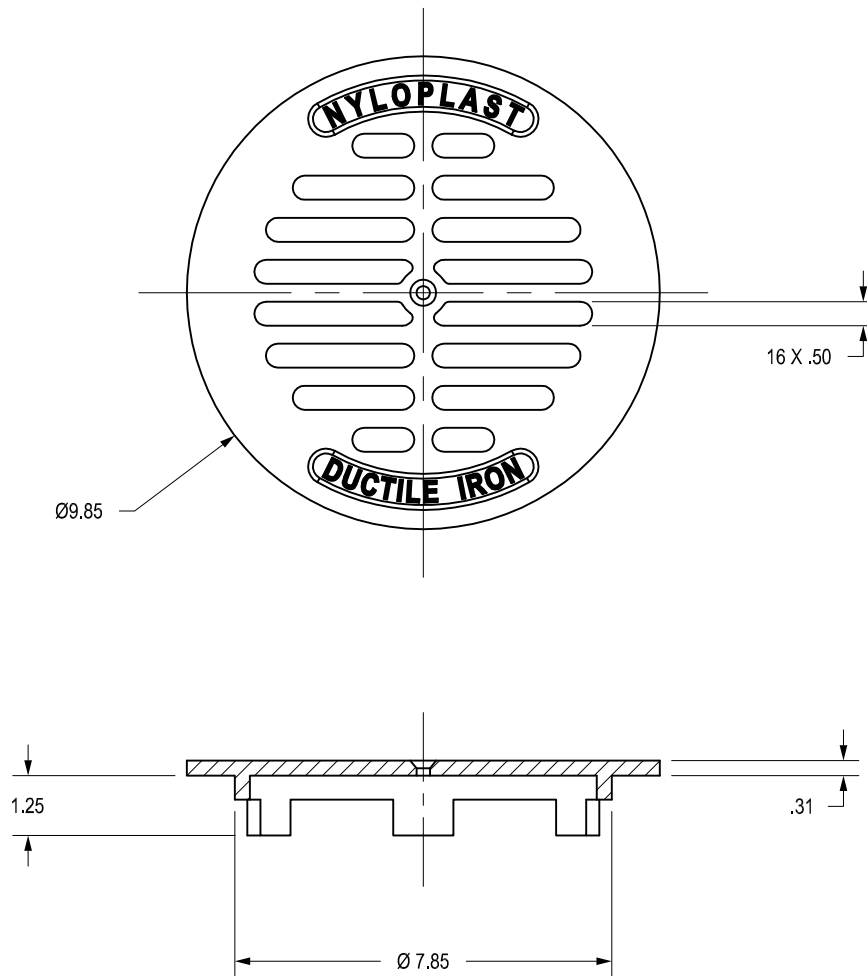


# 0801DI

APPROX. DRAIN AREA = 19.30 SQ IN  
 APPROX. WEIGHT = 5.80 LBS



DIMENSIONS ARE FOR REFERENCE ONLY

ACTUAL DIMENSIONS MAY VARY

DIMENSIONS ARE IN INCHES

GRATE HAS LIGHT DUTY RATING

QUALITY: MATERIALS SHALL CONFORM TO ASTM A536 GRADE 70-50-05

PAINT: CASTINGS ARE FURNISHED WITH A BLACK PAINT

SIZE OF OPENING MEETS REQUIREMENTS OF AMERICAN DISABILITY

ACT AS STATED IN FEDERAL REGISTER PART III, DEPARTMENT OF

JUSTICE, 28 CFR PART 36.

THIS PRINT DISCLOSES SUBJECT MATTER IN WHICH NYLOPLAST HAS PROPRIETARY RIGHTS. THE RECEIPT OR POSSESSION OF THIS PRINT DOES NOT CONFER, TRANSFER, OR LICENSE THE USE OF THE DESIGN OR TECHNICAL INFORMATION SHOWN HEREIN REPRODUCTION OF THIS PRINT OR ANY INFORMATION CONTAINED HEREIN, OR MANUFACTURE OF ANY ARTICLE HEREFROM, FOR THE DISCLOSURE TO OTHERS IS FORBIDDEN, EXCEPT BY SPECIFIC WRITTEN PERMISSION FROM NYLOPLAST.

©2012 NYLOPLAST

DRAWN BY	AWA	MATERIAL
DATE	3-5-00	
APPD BY	JJC	PROJECT NO./NAME
DATE	8-14-12	
DWG SIZE	A	SCALE 1:4 SHEET 1 OF 1



3130 VERONA AVE  
 BUFORD, GA 30518  
 PHN (770) 932-2443  
 FAX (770) 932-2490  
[www.nyloplast-us.com](http://www.nyloplast-us.com)

TITLE	8 IN DROP IN		
DWG NO.	7001-110-019	REV	D