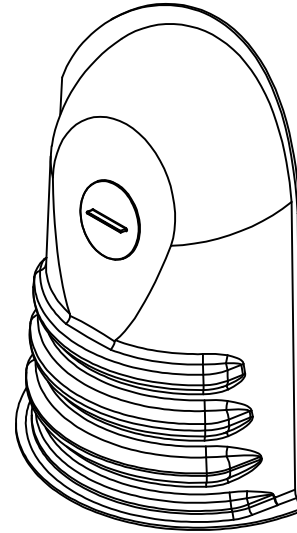
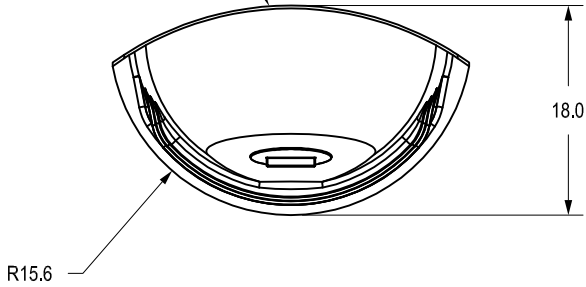
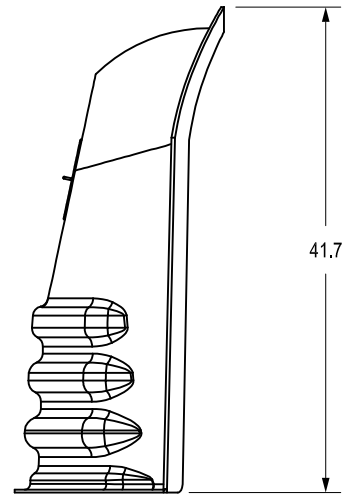
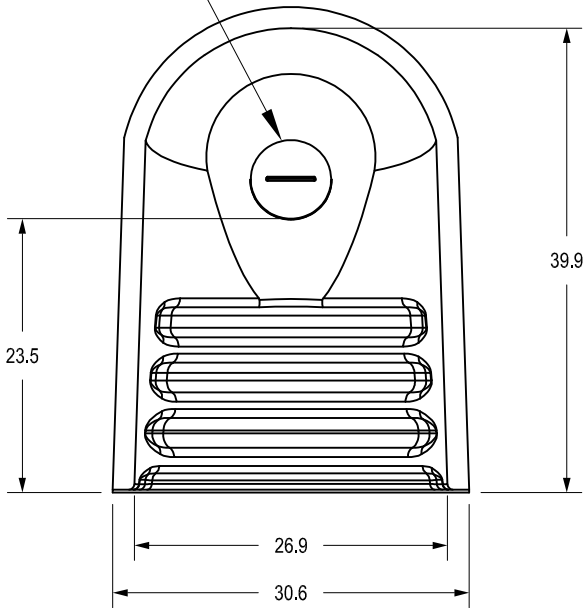


DESIGNED TO FIT 48" - 54"
ROUND CONCRETE STRUCTURES



REMOVABLE 6"
ACCESS PORT



THIS PRINT DISCLOSES SUBJECT MATTER IN WHICH NYLOPLAST HAS PROPRIETARY RIGHTS. THE RECEIPT OR POSSESSION OF THIS PRINT DOES NOT CONFER, TRANSFER, OR LICENSE THE USE OF THE DESIGN OR TECHNICAL INFORMATION SHOWN HEREIN. REPRODUCTION OF THIS PRINT OR ANY INFORMATION CONTAINED HEREIN, OR MANUFACTURE OF ANY ARTICLE HEREFROM, FOR THE DISCLOSURE TO OTHERS IS FORBIDDEN, EXCEPT BY SPECIFIC WRITTEN PERMISSION FROM NYLOPLAST.

©2012 NYLOPLAST

| | | | | | |
|----------|--------|------------------|---------------------------|-------|--------|
| DRAWN BY | JJC | MATERIAL | HIGH DENSITY POLYETHYLENE | | |
| DATE | 7-2-12 | PROJECT NO./NAME | | | |
| APPD BY | JJC | SCALE | NTS | SHEET | 1 OF 1 |
| DATE | 7-2-12 | | | | |
| DWG SIZE | A | | | | |

| | | | |
|---------------------------------------------------------------------------------------|---------------------------------------------------------------------------------------------------------|-----|---|
|  | 3130 VERONA AVE BUFORD, GA 30518 PHN (770) 932-2443 FAX (770) 932-2490 www.nyloplast-us.com | | |
| | TITLE 24R ENVIROHOOD FOR 48" - 54" ROUND CONCRETE STRUCTURES | | |
| DWG NO. | 7004-110-103 | REV | A |